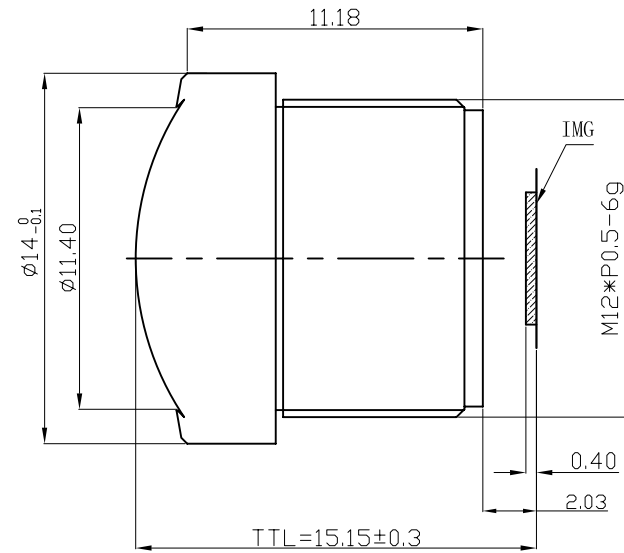


YT-6031-C1 Lens Specification

1.SENSOR SIZE	IMX225
2.OPTICAL TTL	= 15.15
3.WAVELENGTH	λ = 400-700nm
4.FOCAL LENGTH (EFL)	f = 1.51mm
5.F/NO (INFINITE)	F/NO= 2.4
6.BACK FOCAL LENGTH	BFL= 3.44
7.FLANGE BACK LENGTH	FBL= 2.24±0.1
8.FIELD OF VIEW(D)	= 210°±5°
FIELD OF VIEW(H)	= 210°±3°
FIELD OF VIEW(V)	= 140°±2°
9.F-THETA DISTORTION	= -9.8%
10.CHIEF RAY ANGLE	= 12.7°
11.RELATIVE ILLUMINATION	= 65%
12.THREAD SIZE	M12-P0.5
13.STRUCTURE	6G+0.3IR
14.IR FILTER SPEC.(Built-in,Others available)	

Tavg	>=88%	@420-600 nm
T	=50%	@650±10nm
Tavg	<=3%	@ 700-1000 nm
T	<5%	@1050 nm



REV	DESCRIPTION	DATE	NAME	NAME	YT-6031-C1 SPEC	SCALE	DRAWN
①				VIEW	☐ ⊙	REV	00
②				深圳市云泰时代光学有限公司		DATE	CHECKED
③				SEHNZHEN YUNTAI TIME OPTICAL CO.,LTD		BORDER	A4
④						APPROVED	